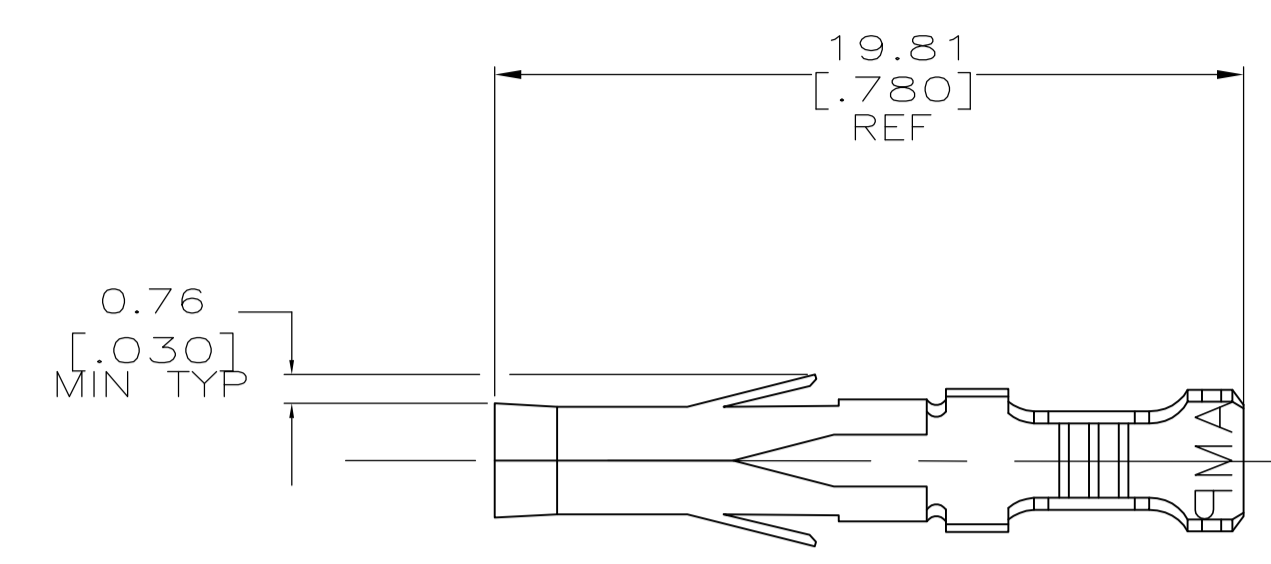
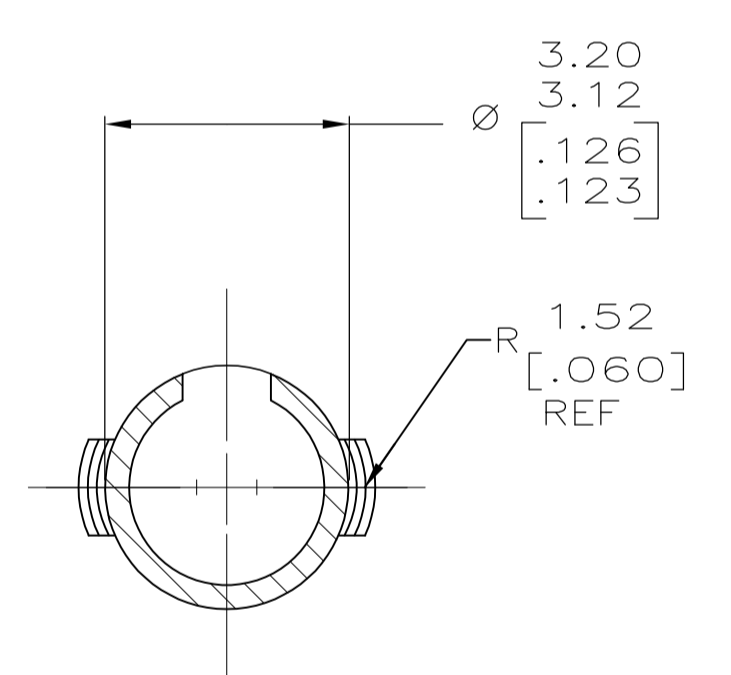
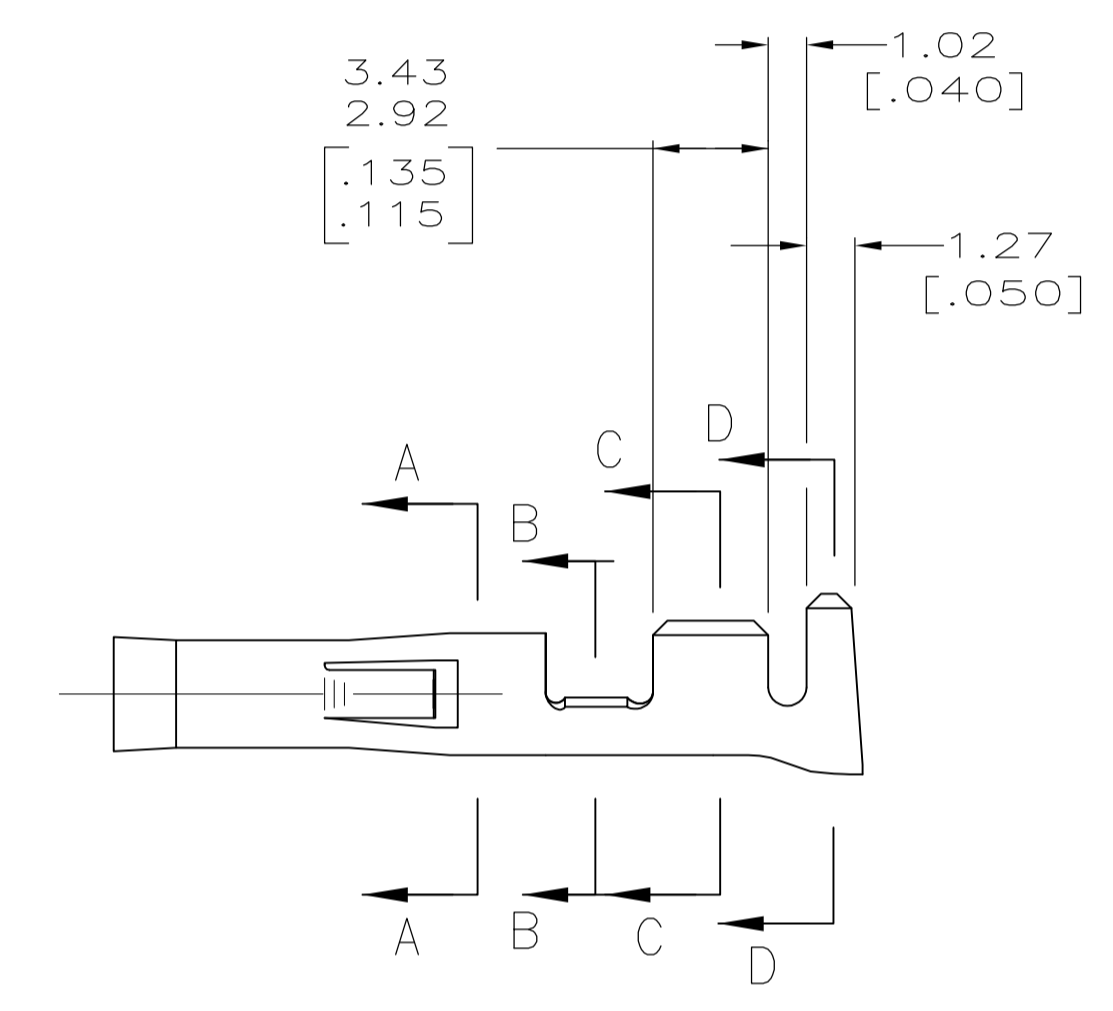
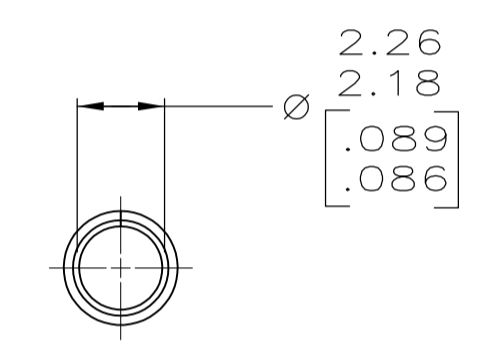


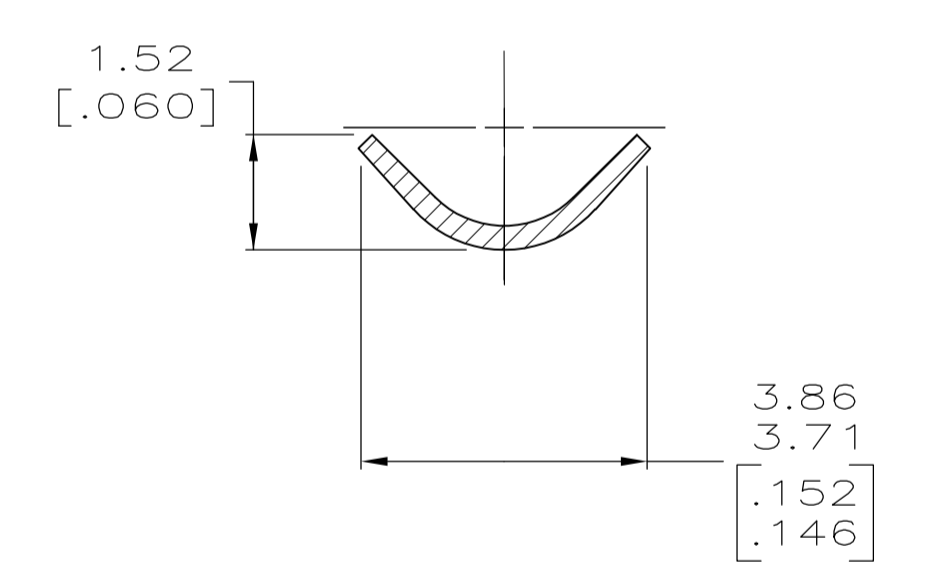
LOC		DIST		REVISIONS			
P	LTR	DESCRIPTION	DATE	DMN	APVD		
F		ECO-07-014387	19JUN07	KW	CC		



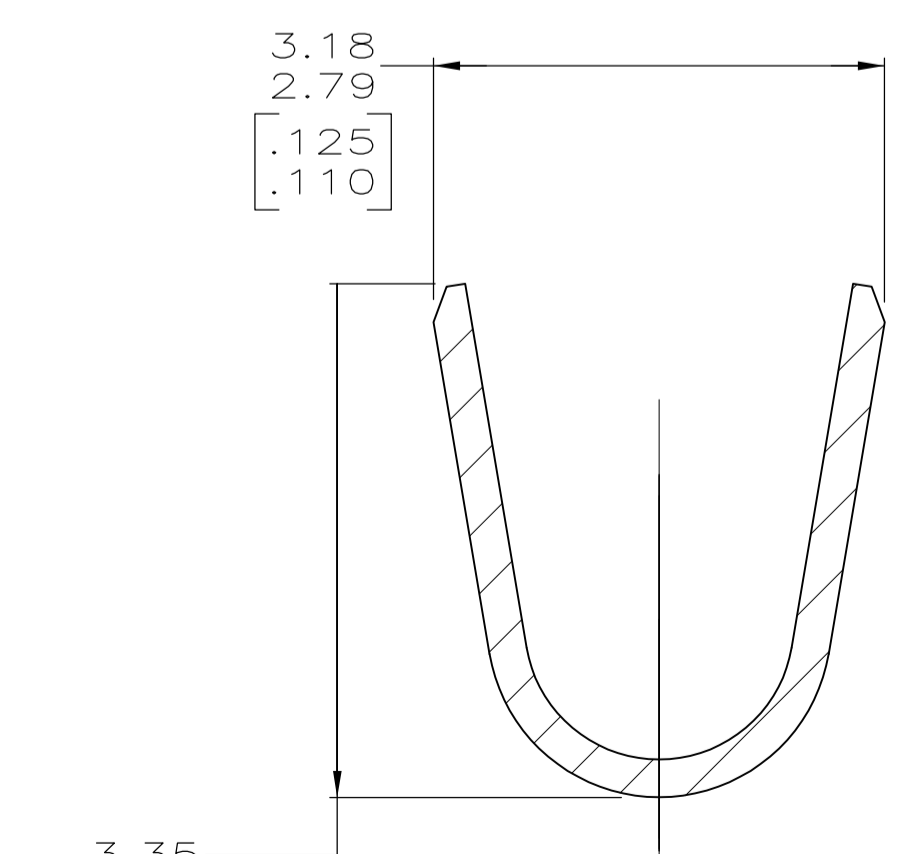
- 1. 0.00127 [.000050] NICKEL PLATE WITH 0.00076 [.000030] GOLD PLATE ON INSIDE OF RECEPTACLE.
- 2. WIRE RANGE: 0.5-2mm² (20-14 AWG).
- 3. INSULATION RANGE: 3.56 [.140] MAX. DIA.
- 4. DIMENSIONS IN BRACKETS ARE IN INCHES.



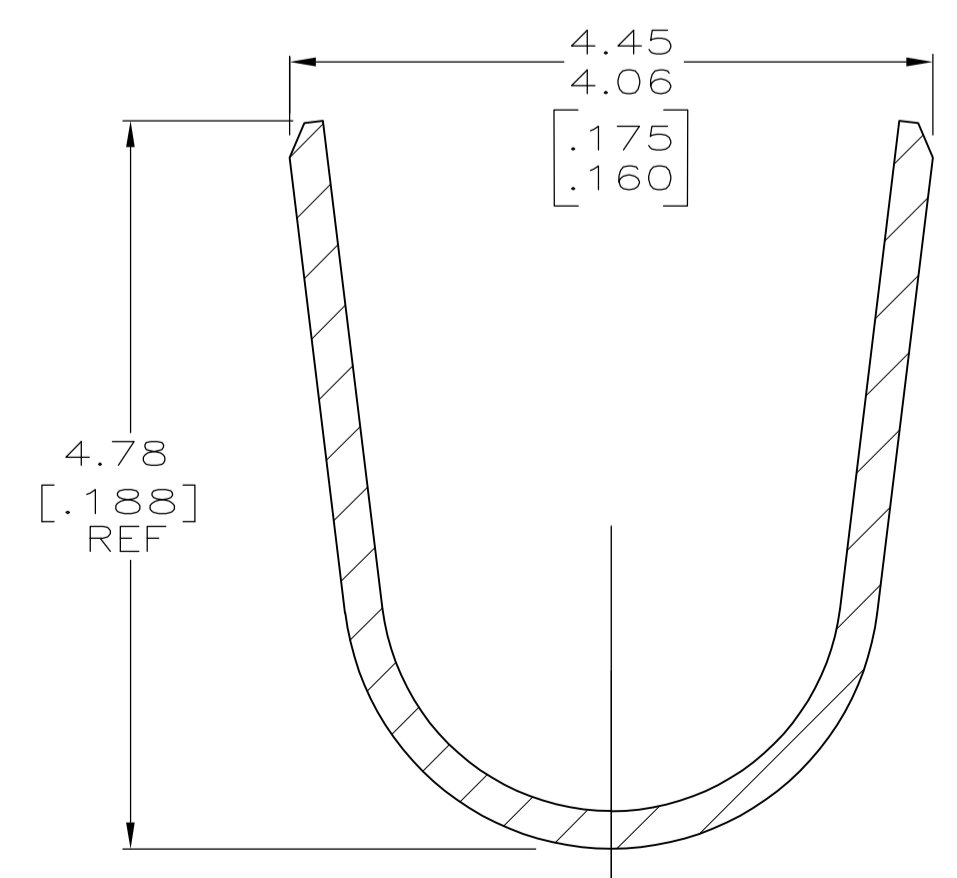
SECTION A-A
SCALE 10:1



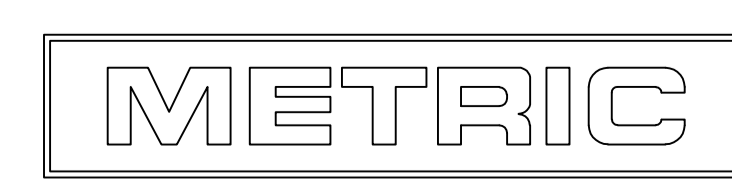
SECTION B-B
SCALE 10:1



SECTION C-C
SCALE 10:1



SECTION D-D
SCALE 10:1



PRE-TIN	0.25 [.010] PHOS BRZ	770144-6
△	0.25 [.010] BRASS	770144-5
PRE-TIN	0.25 [.010] BRASS	770144-1
FINISH	MATERIAL	PART NO

THIS DRAWING IS A CONTROLLED DOCUMENT.		DIN K. WHITAKER 19JUN2007		Tyco Electronics Corporation Harrisburg, PA 17105-3608	
DIMENSIONS: mm [INCHES]		TOLERANCES UNLESS OTHERWISE SPECIFIED:		APVD C. CASH 19JUN2007	
0. PLC ± -		1. PLC ± -		NAME SOCKET, .093, LOOSE PIECE, COMMERCIAL PIN AND SOCKET	
2. PLC ± 0.13 [.005]		3. PLC ± -		APPLICATION SPEC	
4. PLC ± -		ANGLES ± -		SIZE A1	
MATERIAL SEE TABLE		FINISH SEE TABLE		WEIGHT -	
				A1 00779 C=770144	
				CUSTOMER DRAWING	
				SCALE 5:1 SHEET 1 OF 1 REV F	